

For detailed video installation instructions, please go to: www.unex.com/resources/video-library

UNEX BOLTED CONVEYOR SUPPORT

Adjustable Bracket

"H" Frame

Adjustable Bracket

3/8" strut nut (4)

3/8" flat washers (4)

3/8"x 1" bolt (4)

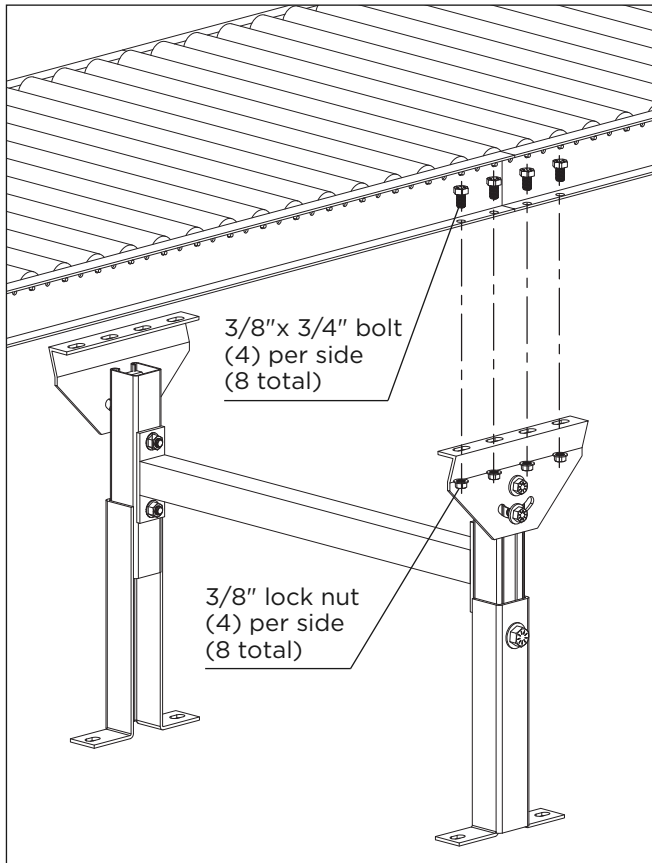
Boot

1/2" strut nut (2)

1/2" flat washer (2)

1/2"x 1" bolt (2)

Boot



Secure leg supports to the floor utilizing the lag holes in the adjustable leg boot. Lag hardware not provided.

Tools Required:
 3/4" wrench
 9/16" wrench



Pick **Smarter**. Pick **Better**. Pick **UNEX**.

UNEX MANUFACTURING, INC.

691 New Hampshire Avenue, Lakewood, NJ 08701
 800.695.SPAN (7726)

732-928-2800 • fax: 732-928-2828 • e-mail: span@unex.com • unex.com

www.unex.com/resources/video-library

INS-HSUP-000